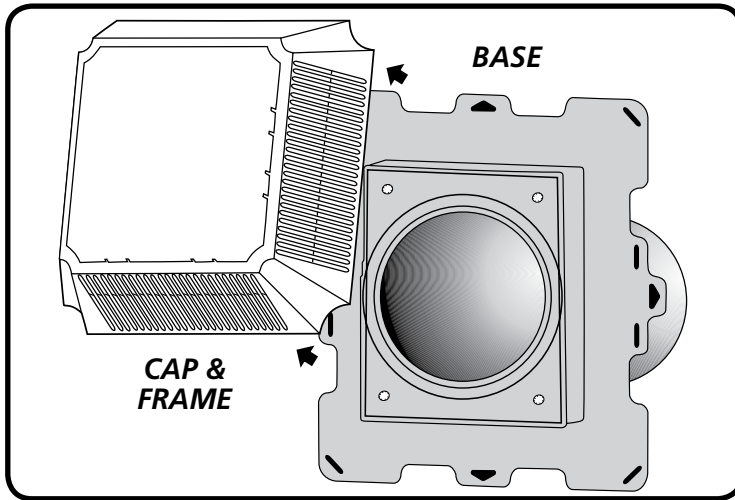


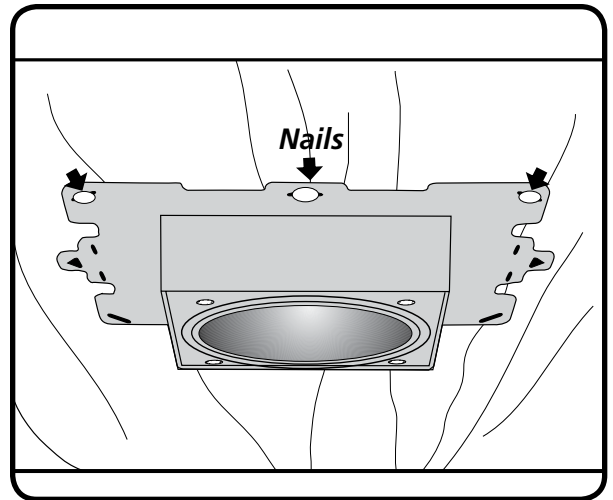
## INTAKE/EXHAUST VENT MOUNTING BLOCK INSTALLATION INSTRUCTIONS

INSTALL BASE PRIOR TO SIDING



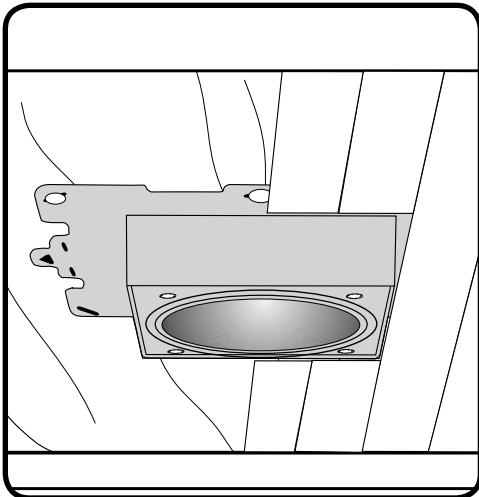
### STEP 1

Remove the cap(s) from the base. Set aside cap(s) to replace later. 3 pieces involved in installation: Exhaust Cap, Base, and Frame.



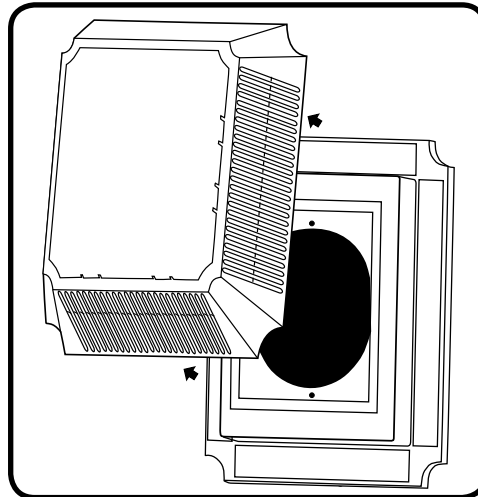
### STEP 2

Place the base on desired soffit location where exhaust pipe outlet is located. Mount to soffit with 12 roofing nails or screws in the provided slots.



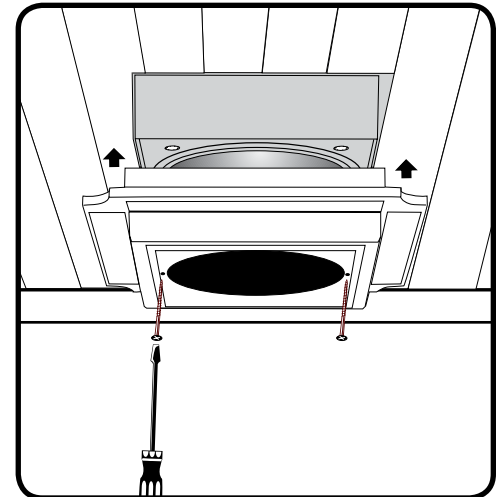
### STEP 3

Install soffit according to the manufacturer's installation instructions around the base.



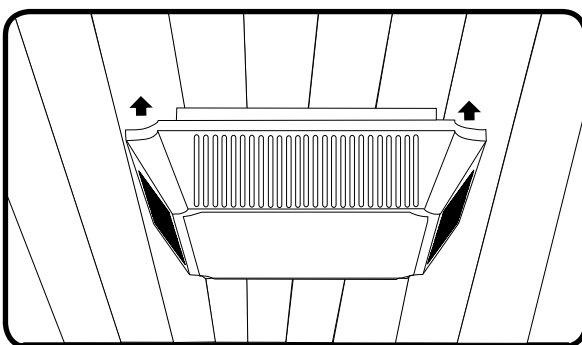
### STEP 4

Remove Outer Exhaust Cap from Frame by pulling off firmly while holding the frame.



### STEP 5

Snap on frame to base and secure to base with 2 screws. Screw into provided holes as shown.



Replace Exhaust Cap by snapping onto Frame. Clean, finished appearance that hides cut edges of the soffit.

**DINESOL BUILDING PRODUCTS LTD.**

168 North Meridian Road  
P.O. Box 1227  
Youngstown, Ohio 44501

Toll Free: **1-800-407-4718**  
Fax: **330-270-0540**