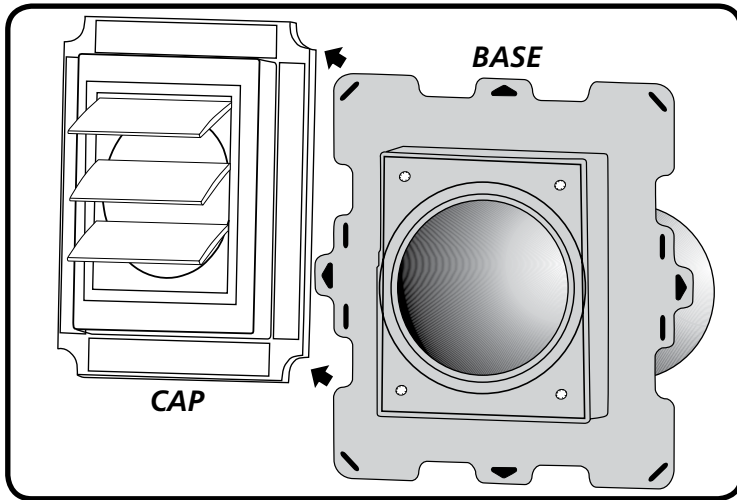


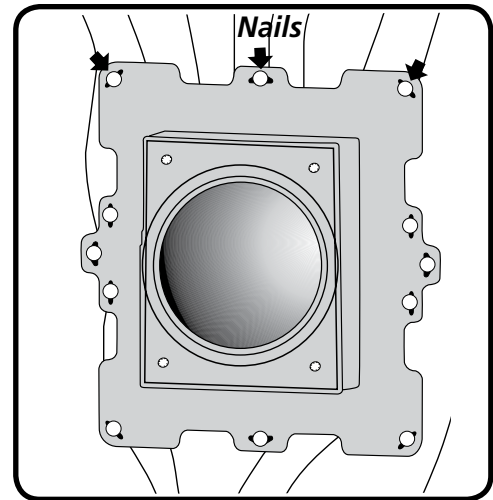
## LOUVERED EXHAUST VENT MOUNTING BLOCK INSTALLATION INSTRUCTIONS

INSTALL BASE PRIOR TO SIDING



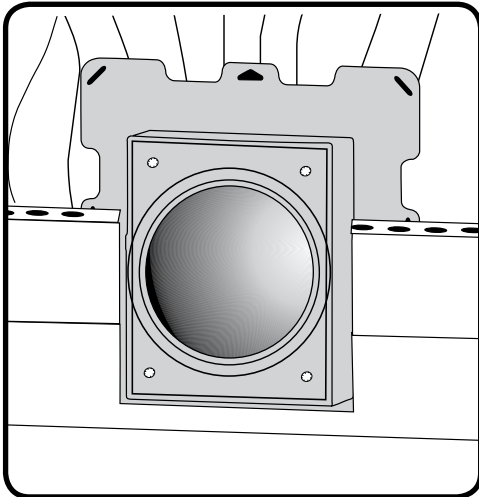
### STEP 1

Remove the cap(s) from the base. Set aside cap to replace later.



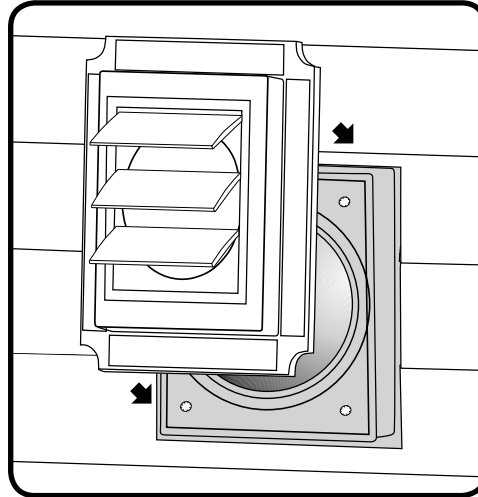
### STEP 2

Place the base on desired wall location where exhaust pipe outlet is located. Mount to wall with 12 roofing nails or screws in the provided slots.



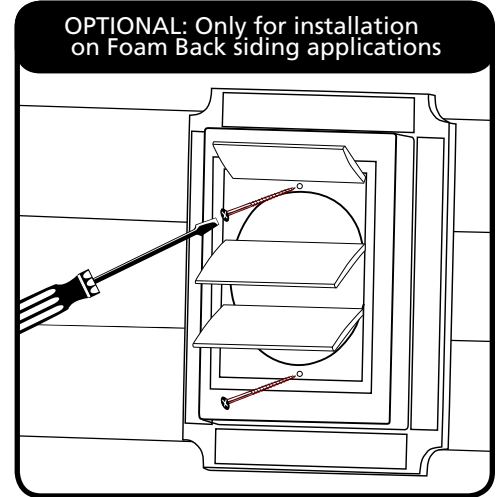
### STEP 3

Install siding according to the manufacturer's installation instructions around the base.



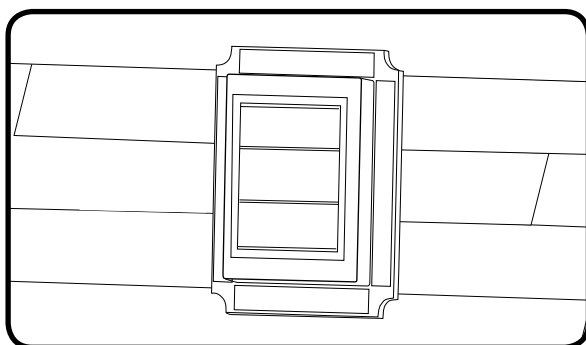
### STEP 4

After siding installation is complete snap cap back onto the base (louvers hanging downward) in provided holes.



### STEP 5

Once cap snapped into place, lift up louvers and use flat head screws to secure cap to base. Screw into provided holes as shown.



Clean, finished appearance that hides cut edges of siding.

**DINESOL BUILDING PRODUCTS LTD.**

168 North Meridian Road  
P.O. Box 1227  
Youngstown, Ohio 44501

Toll Free: **1-800-407-4718**

Fax: 330-270-0540