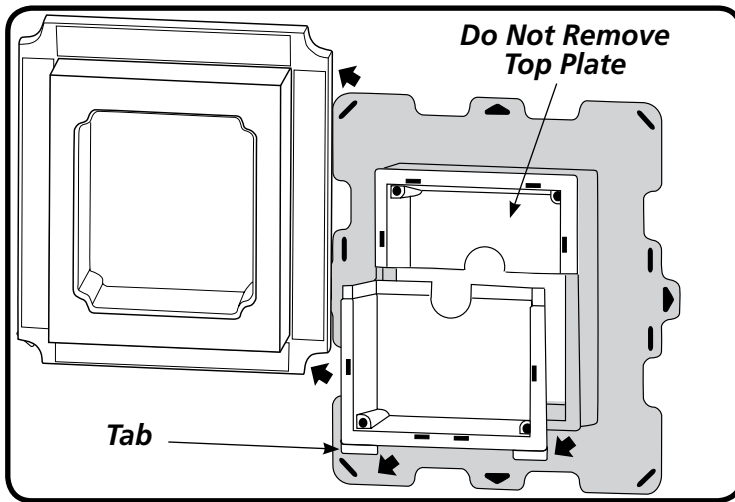


**SPLIT RECESSED MOUNTING BLOCK INSTALLATION INSTRUCTIONS**

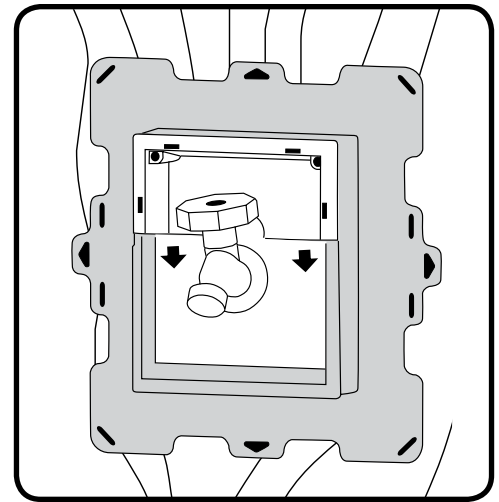
**INSTALL PRIOR TO SIDING**



**STEP 1**

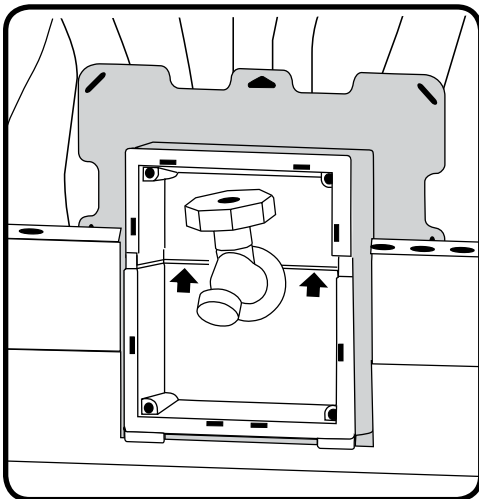
Remove the cap from the base. Remove the plate (shown) section by grabbing onto one of the tabs and pull out from the base. Set aside to replace later.

NOTE: You can turn the base 180° with the tabs at the top to fit different types of spigots. Proceed with these same instructions.



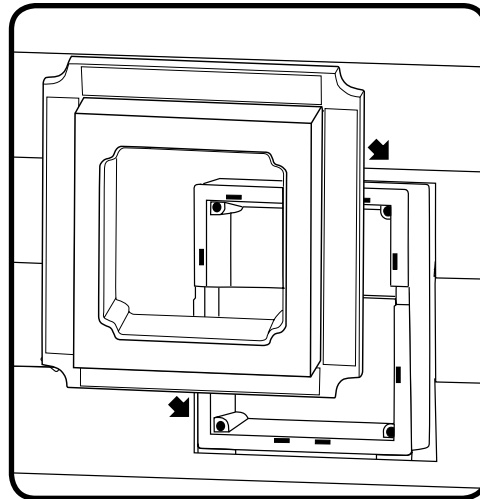
**STEP 2**

Place the base over the water spigot and slide top plate behind top of spigot collar. Nail base to wall. Note: There are 3 different diameter available to cut out of base: 1" (Pre-cut), 1 5/16" and 1 9/16"



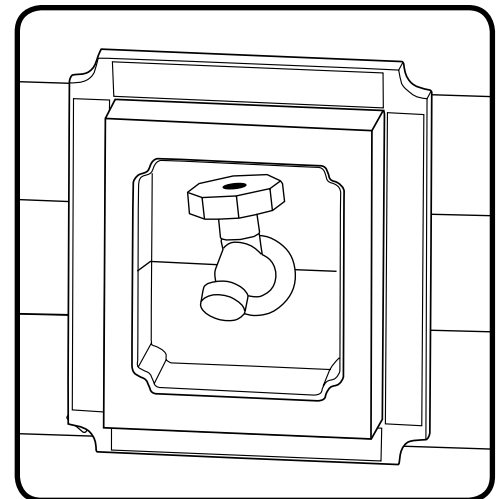
**STEP 3**

Replace lower plate by sliding under spigot collar and top plate. Snap sides and bottom of lower plate firmly into the base.



**STEP 4**

After siding installation is complete snap cap back onto the base in provided holes.



**STEP 5**

Clean, finished appearance that hides cut edges of siding.