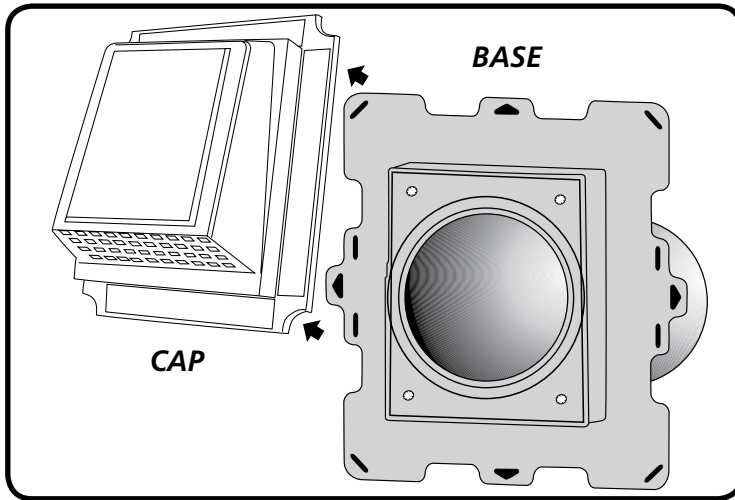


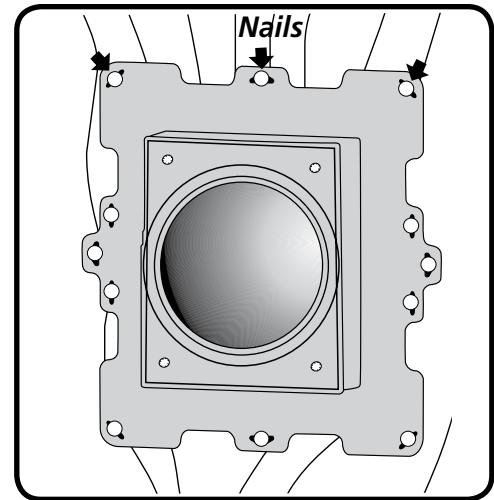
HOODED VENT MOUNTING BLOCK INSTALLATION INSTRUCTIONS

INSTALL BASE PRIOR TO SIDING



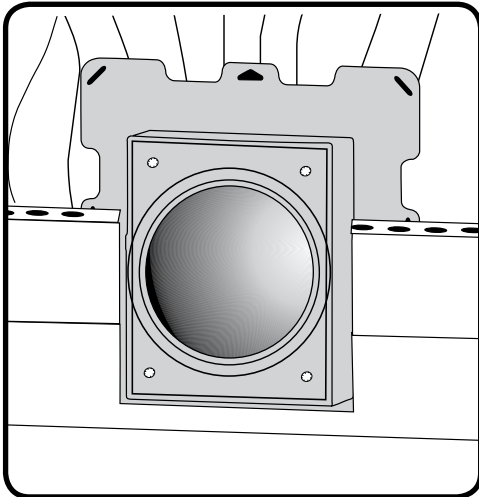
STEP 1

Remove the cap from the base. Set aside cap to replace later.



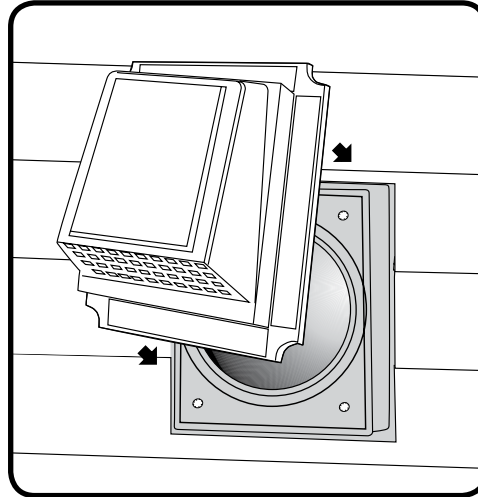
STEP 2

Place the base on desired wall location where exhaust pipe outlet is located. Mount to wall with 12 roofing nails or screws in the provided slots.



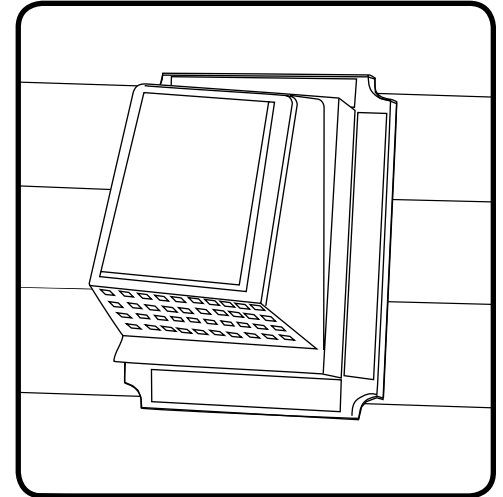
STEP 3

Install siding according to the manufacturer's installation instructions around the base.



STEP 4

After siding installation is complete snap cap back onto the base in provided holes.



STEP 5

Clean, finished appearance that hides cut edges of siding