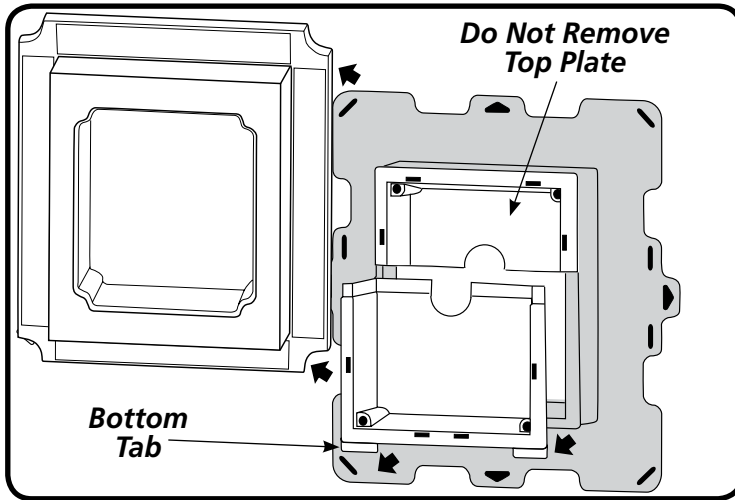


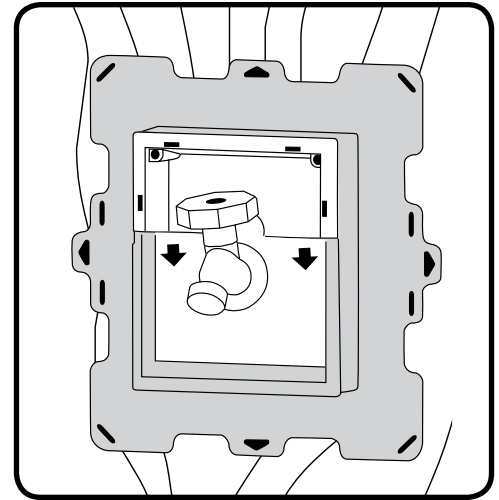
SPLIT RECESSED MOUNTING BLOCK INSTALLATION INSTRUCTIONS

INSTALL PRIOR TO SIDING



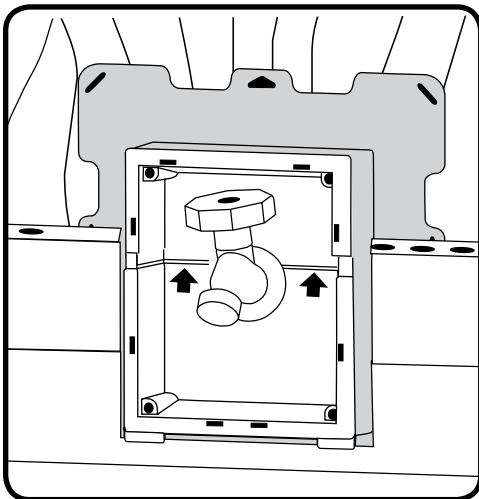
STEP 1

Remove the cap from the base. Remove the lower plate section by grabbing onto one of the bottom tabs and pull out from the base. Set aside to replace later.



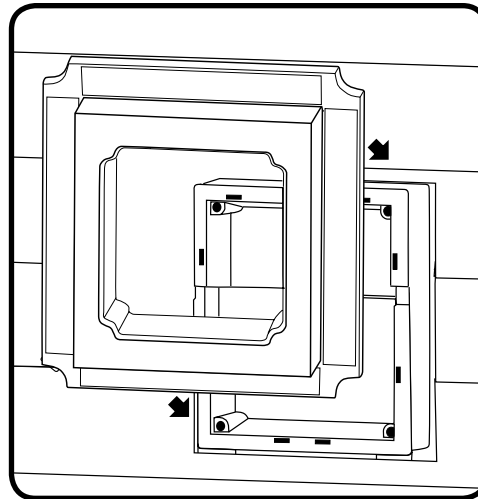
STEP 2

Place the base over the water spigot and slide top plate behind top of spigot collar. Nail base to wall. Note: There are 3 different diameter available to cut out of base: 1" (Pre-cut), 1 5/16" and 1 9/16"



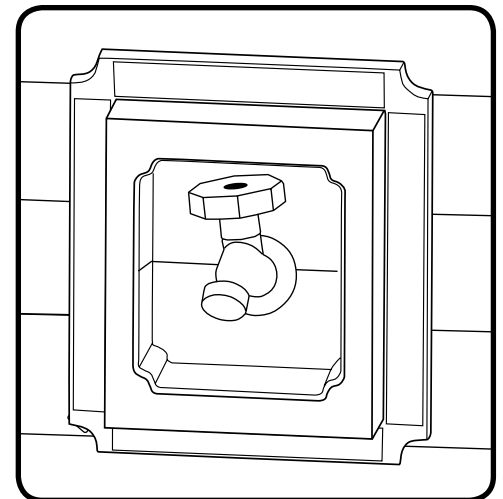
STEP 3

Replace lower plate by sliding under spigot collar and top plate. Snap sides and bottom of lower plate firmly into the base.



STEP 4

After siding installation is complete snap cap back onto the base in provided holes.



STEP 5

Clean, finished appearance that hides cut edges of siding.